

Datasheet

VIVO™

Double Powerpoint, 10A

CAT. NO. EV777WE, EV777GR, EV777MW, EV777MG



A brand of legrand®



EV777WE



EV777GR

Cat. No.	EV777WE	EV777GR	EV777MW	EV777MG
Colour	White (WE)	Dark Grey (GR)	Matt White (MW)	Matt Grey (MG)
Description	Vivo™ Double Powerpoint, 10 A			
Supply voltage	230 - 240 V a.c. 50 Hz			
Current rating	10 A			
Plate size (W x H x D)	119 x 85 x 10 mm			
Mounting centres	84 mm			
Compliance	AS/NZS 3112			

VIVO™

Single Powerpoint, 10A

CAT. NO. EV777WE, EV777GR, EV777MW, EV777MG



A brand of **legrand**



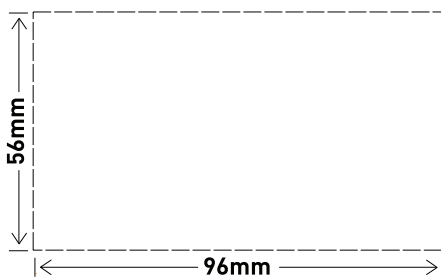
- Small footprint (fits into 2 x Ø40mm cut-out).
- Internal safety shutters for extra safety.
- Captive terminal screws.
- Carburised steel and deep head screws.
- Angled terminal screws for ease of use with power tools.
- Funnel shape cable terminals.
- Raised insulated barriers on terminals.
- Elongated oblong mounting holes for better levelling.

Single product (Qty 1)	
Cat. No.	Barcode
EV777WE	9321001465232
EV777GR	9321001465324
EV777MW	9321001509790
EV777MG	9321001509806

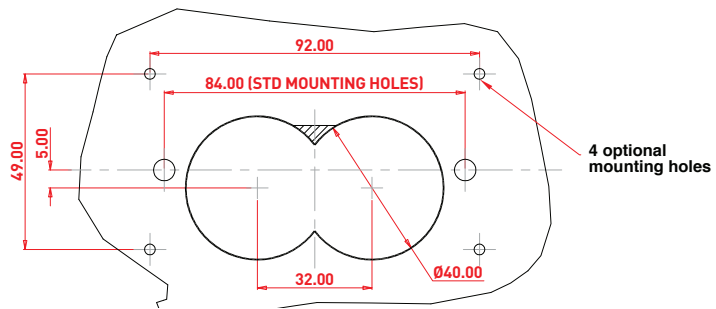
Inner box (Qty 10)		
Cat. No.	Barcode	Dimensions (W x H x D)
EV777WE	9321001466499	163 x 174 x 124 mm
EV777GR	9321001466574	
EV777MW	9321001509912	
EV777MG	9321001509929	

Outer box (Qty 120)		
Cat. No.	Barcode	Dimensions (W x H x D)
EV777WE	9321001467748	387 x 222 x 515 mm
EV777GR	9321001467823	
EV777MW	9321001510031	
EV777MG	9321001510048	

Glass and tile cut-out dimensions:



Timber cut-out dimensions:



Legrand Australia
1300 369 777
www.hpm.com.au
ABN 31 000 102 661

Legrand New Zealand
0800 476 009
www.hpm.co.nz

Refer to your group buying office, Legrand Sales Representative or Legrand Sales Office for pricing.

Please note: specifications are subject to change without prior notice.

